

High power microstepping motor driver with the L6482H

Data brief

Features

- Voltage range from 10.5 V to 85 V
- Low $R_{ds(ON)}$ MOSFETs in DPAK package
- SPI with daisy chain feature
- FLAG and BUSY LED indicators
- Flexible supply voltage management
- Suitable for use in combination with the STEVAL-PCC009V2

Applications

- High power bipolar stepper motor driving



Description

The EVAL6482H demonstration board is a high power microstepping motor driver. In combination with the STEVAL-PCC009V2 communication board and the evaluation software, the board allows the user to investigate all the features of the L6482 device. In particular, the board can be used to check the advanced current control and to regulate the L6482 parameters in order to fit the application requirements.

The EVAL6482H supports the daisy chain configuration making it suitable for the evaluation of the L6482 in multi-motor applications.

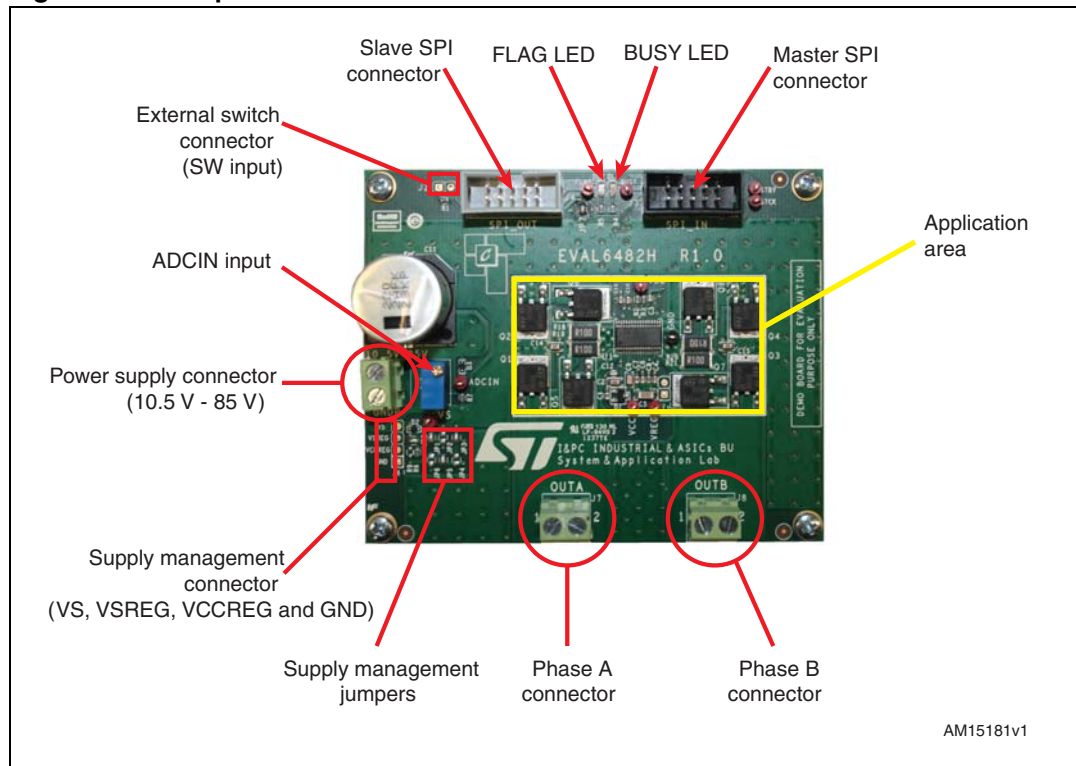
1 Board description

Table 1. EVAL6482H electrical specifications

Parameter	Value
Supply voltage (VS)	10.5 to 85 V
Maximum output current (each phase)	6 A _{r.m.s.} at 25 °C ⁽¹⁾
External MOSFET R _{ds(ON)}	33 mΩ typical at 25 °C ⁽²⁾
Gate driver supply voltage (VCC)	7.5 V to 15 V
Logic supply voltage	3.3 V
Logic interface supply voltage	3.3 V or 5 V
Low level logic input	0 V
High level logic input	VDD ⁽³⁾
Operating temperature	-25 °C to +125 °C

1. Limited by the mounted sensing resistors.
2. Refer to STD25NF10 datasheet for details.
3. All logic inputs are 5 V tolerant.

Figure 1. Jumper and connector location



AM15181v1

Table 2. Jumper and connector description

Name	Type	Function
J5	Power supply	Main supply voltage
J7	Power output	Power bridge A outputs
J8	Power output	Power bridge B outputs
J6	Power supply	Integrated voltage regulator inputs
J3	SPI	Master SPI connector
J4	SPI	Slave SPI connector
JP1	Jumper	VS to VSREG jumper
JP2	Jumper	VSREG to VCC jumper
JP3	Jumper	VCC to VCCREG jumper
JP4	Jumper	VCCREG to VREG jumper
JP5	Jumper	VREG to VDD jumper
JP6	Jumper	VDD to 3.3 V from SPI connector jumper
JP7	Jumper	Daisy chain termination jumper
JP8	Jumper	STBY to VS pull-up jumper

Table 3. Master SPI connector pinout (J3)

Pin number	Type	Description
1	Open drain output	L6482 BUSY output
2	Open drain output	L6482 FLAG output
3	Ground	Ground
4	Supply	EXT_VDD (can be used as external logic power supply)
5	Digital output	SPI master IN slave OUT signal (connected to the L6482 SDO output through daisy chain termination jumper JP7)
6	Digital input	SPI serial clock signal (connected to L6482 CK input)
7	Digital input	SPI master Out slave IN signal (connected to L6482 SDI input)
8	Digital input	SPI slave select signal (connected to L6482 CS input)
9	Digital input	L6482 step-clock input
10	Digital input	L6482 standby/reset input

Table 4. Slave SPI connector pinout (J4)

Pin number	Type	Description
1	Open drain output	L6482 BUSY output
2	Open drain output	L6482 FLAG output
3	Ground	Ground

Table 4. Slave SPI connector pinout (J4) (continued)

Pin number	Type	Description
4	Supply	EXT_VDD (can be used as external logic power supply)
5	Digital output	SPI master In slave Out signal (connected to pin 5 of J3)
6	Digital input	SPI serial clock signal (connected to L6482 CK input)
7	Digital input	SPI master Out slave In signal (connected to L6482 SDO output)
8	Digital input	SPI slave select signal (connected to L6482 CS input)
9	Digital input	L6482 step-clock input
10	Digital input	L6482 standby/reset input

Figure 2. EVAL6482H schematic part 1/2

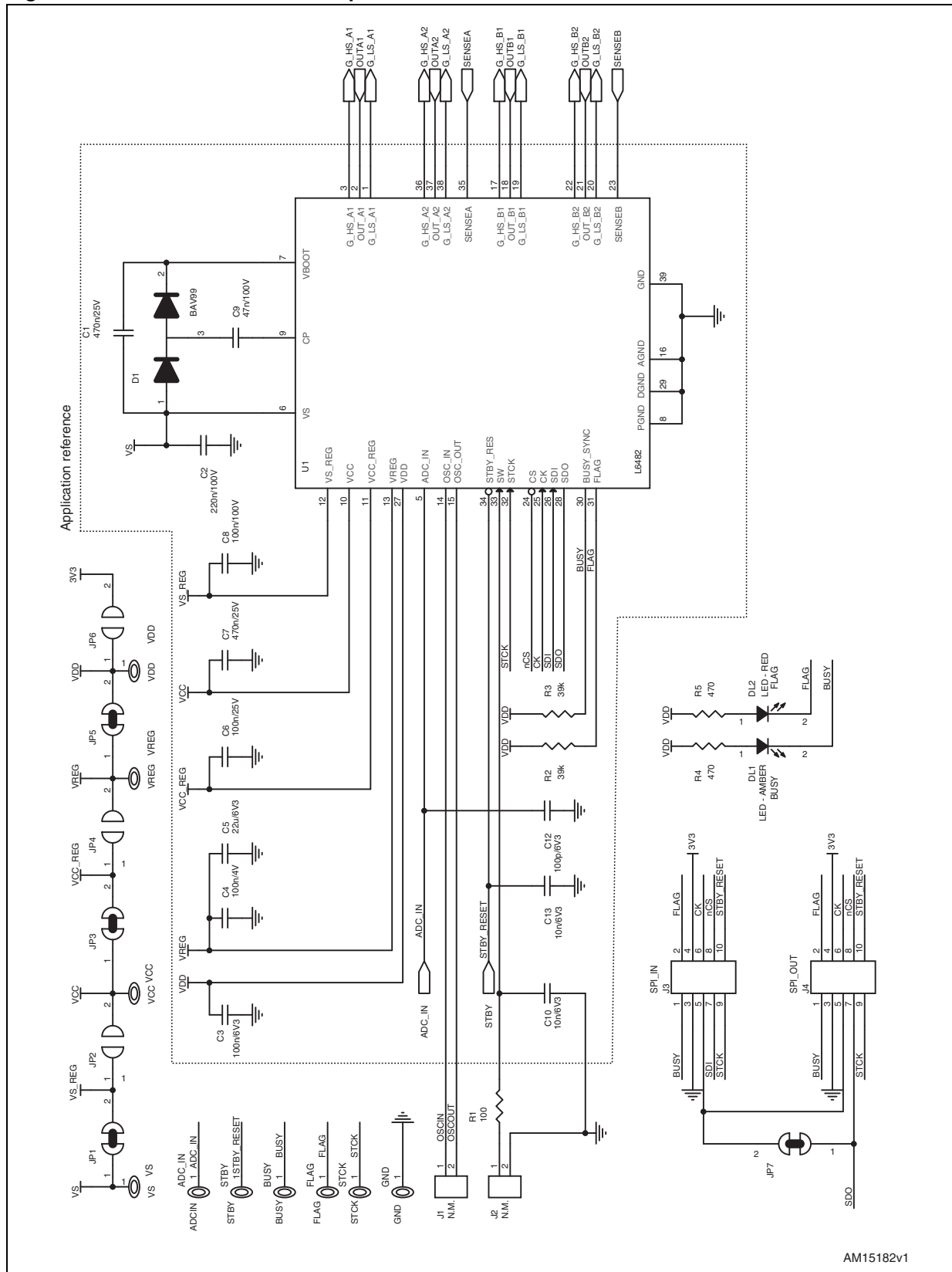
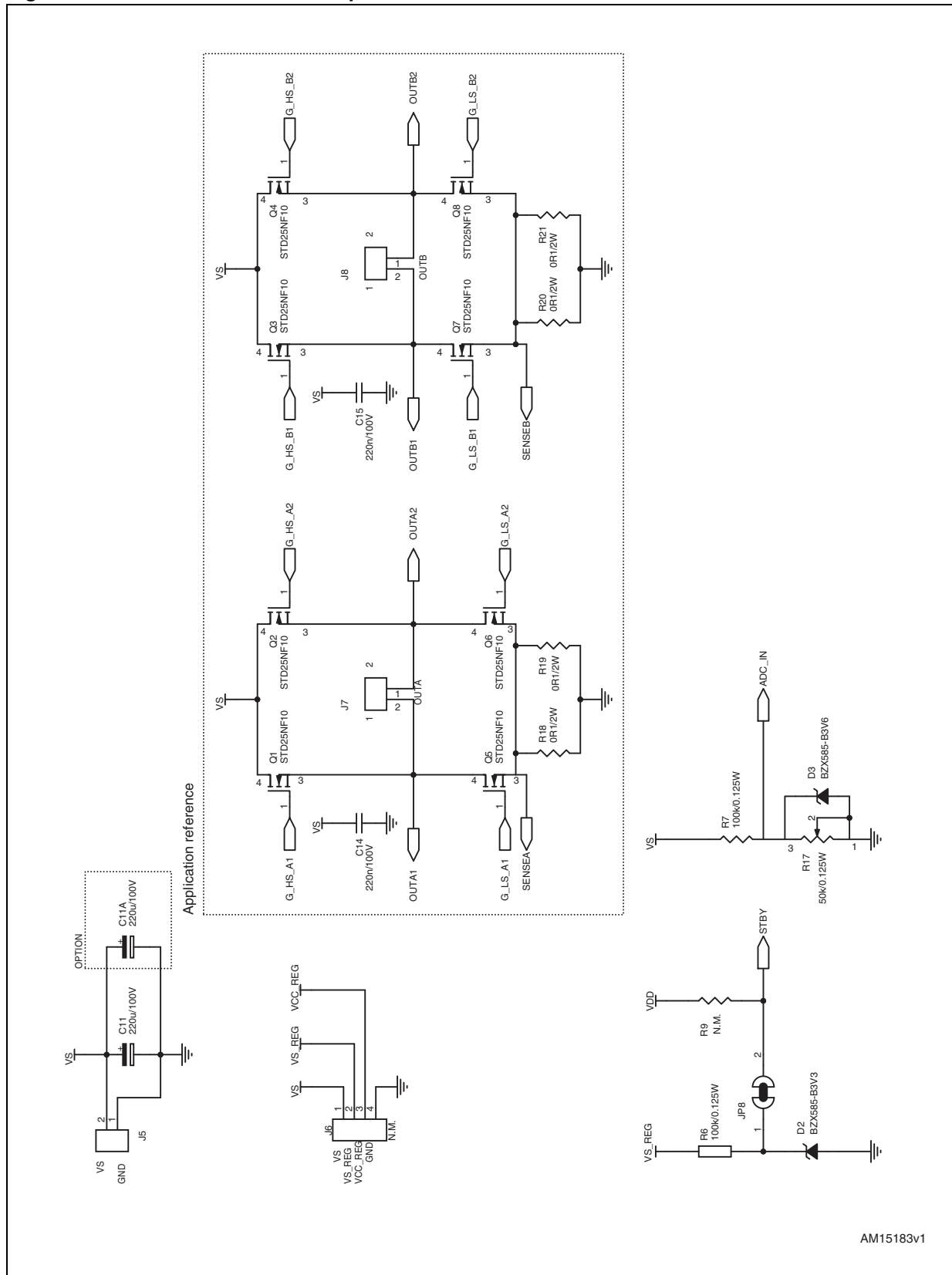


Figure 3. EVAL6482H schematic part 2/2



AM15183v1

Table 5. EVAL6482H - bill of material

Item	Quantity	Reference	Value	Package
1	9	VS, VREG, VDD, VCC, STCK, STBY, FLAG, BUSY, ADCIN	TPTH-RING (red)	TPTH-RING-1MM
2	1	GND	TP-RING (black)	TPTH-RING-1MM
3	2	C1,C7	470 nF/25 V	CAPC-0603
4	3	C2, C14, C15	220 nF/100 V	CAPC-0805
5	1	C3	100 nF/6.3 V	CAPC-0603
6	1	C4	100 nF/4 V	CAPC-0603
7	1	C5	22 μ F/6.3 V	CAPC-1206
8	1	C6	100 nF/25 V	CAPC-0603
9	1	C8	100 nF/100 V	CAPC-0603
10	1	C9	47 nF/100 V	CAPC-0805
11	2	C10, C13	10 nF/6.3 V	CAPC-0603
12	1	C11	220 μ F/100 V	CAPE-R18H17
13	1	C11A	220 μ F/100 V	CAPE-R16H21-P75
14	1	C12	100 pF/6.3 V	CAPC-0603
15	1	DL1	LED amber	LEDC-0805
16	1	DL2	LED red	LEDC-0805
17	1	D1	BAV99	SOT-23
18	1	D2	BZX585-B3V3	SOD523
19	1	D3	BZX585-B3V6	SOD523
20	5	JP1, JP3, JP5, JP7, JP8	Jumper CLOSED	JP2SO
21	3	JP2, JP4, JP6	Jumper OPEN	JP2SO
22	2	J1, J2	N.M.	STRIP254P-M-2
23	1	J3	Pol. IDC male header vertical 10 poles (black)	CON-FLAT-5X2-180M
24	1	J4	Pol. IDC male header vertical 10 poles (gray)	CON-FLAT-5X2-180M
25	3	J5, J7, J8	Screw connector 2 poles	MORSV-508-2P
26	1	J6	N.M.	STRIP254P-M-4
27	8	Q1, Q2, Q3, Q4, Q5, Q6, Q7, Q8	STD25NF10	DPAK
28	1	R1	100 Ω	RESC-0603
29	2	R2, R3	39 k Ω	RESC-0603
30	2	R4, R5	470 Ω	RESC-0603
31	2	R6, R7	100 k Ω / 0.125 W	RESC-0603

Table 5. EVAL6482H - bill of material (continued)

Item	Quantity	Reference	Value	Package
32	1	R9	N.M.	RESC-0603
33	1	R17	50 kΩ / 0.125 W	TRIMM-100X50X110-64W
34	4	R18,R19,R20,R21	0.1 Ω / 2 W	RESC-2010
35	1	U1	L6482	HTSSOP050P-660X110-38-EP

Figure 4. EVAL6482H - layout (silkscreen)

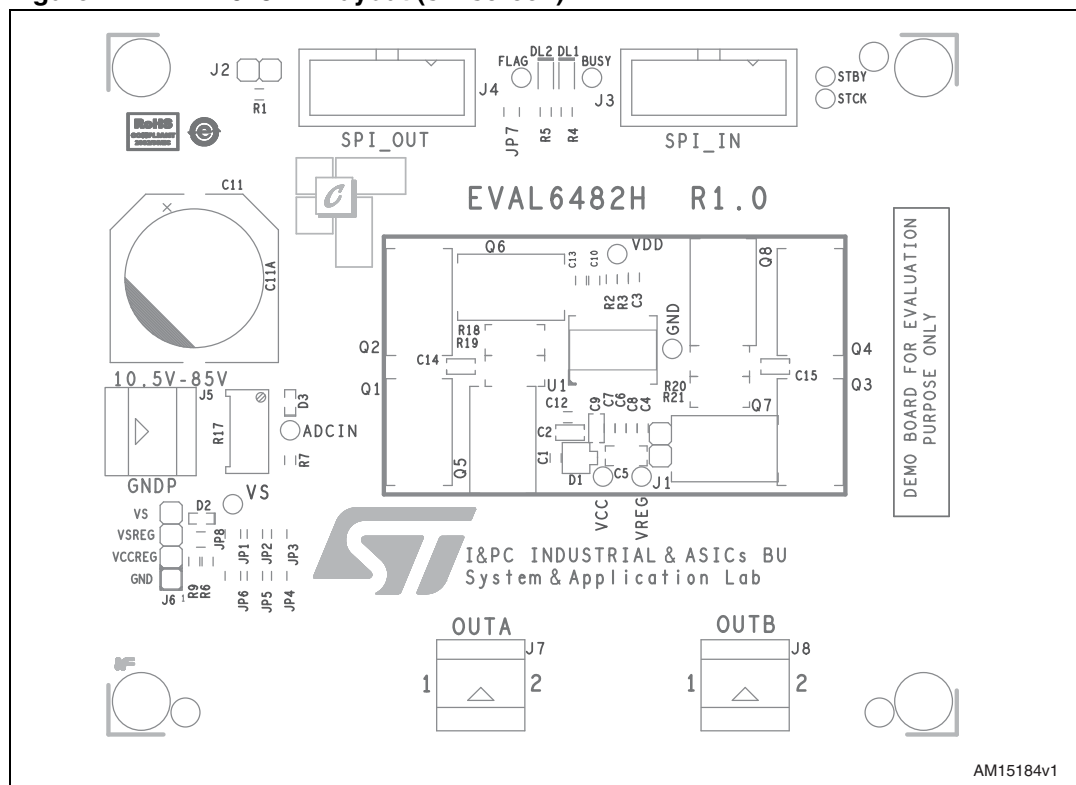


Figure 5. EVAL6482H - layout (top layer)

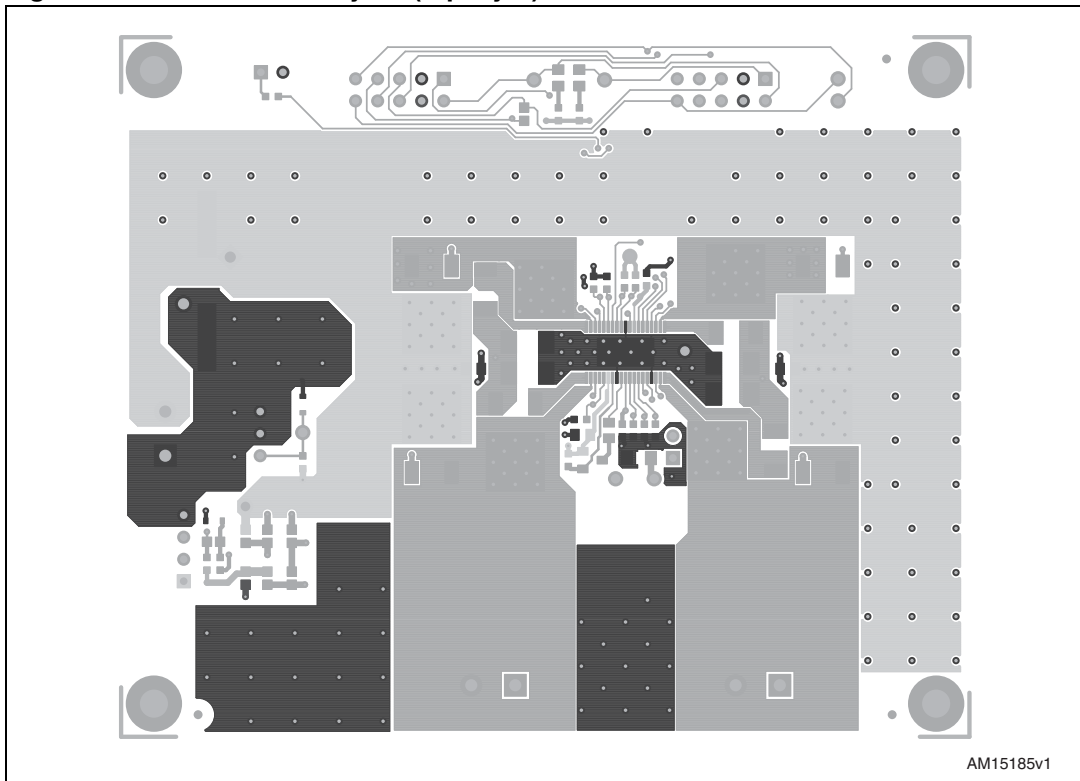


Figure 6. EVAL6482H - layout (inner layer 2)

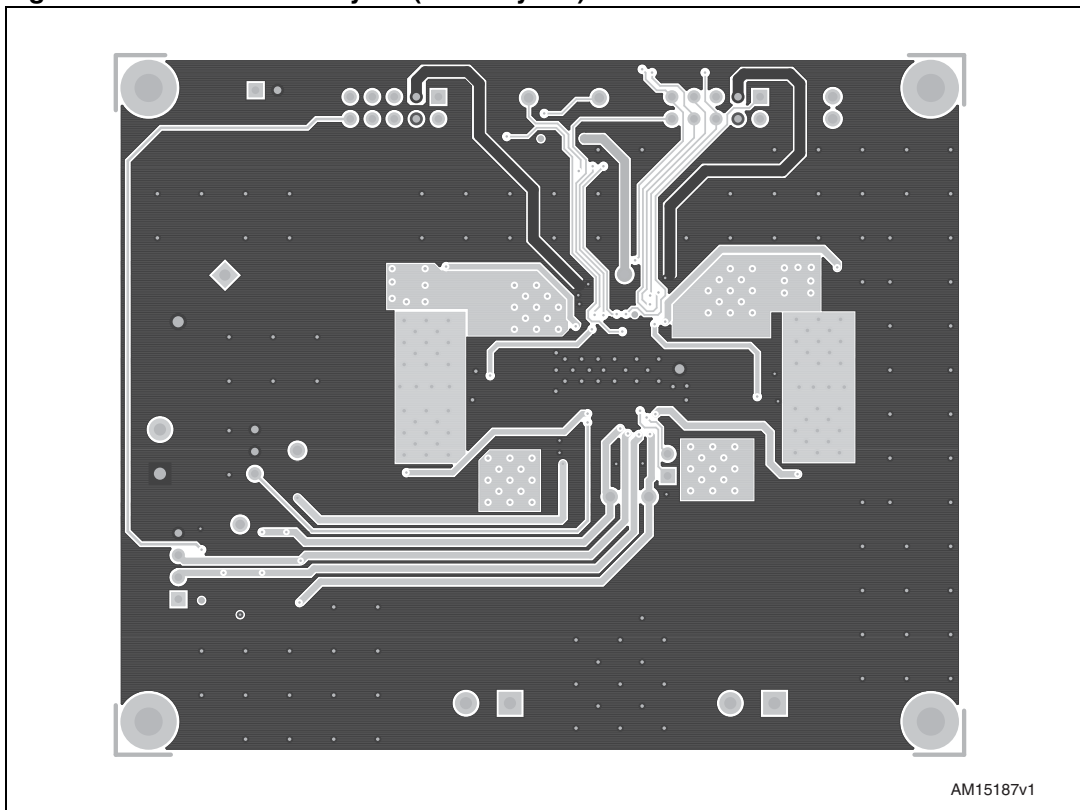


Figure 7. EVAL6482H - layout (inner layer 3)

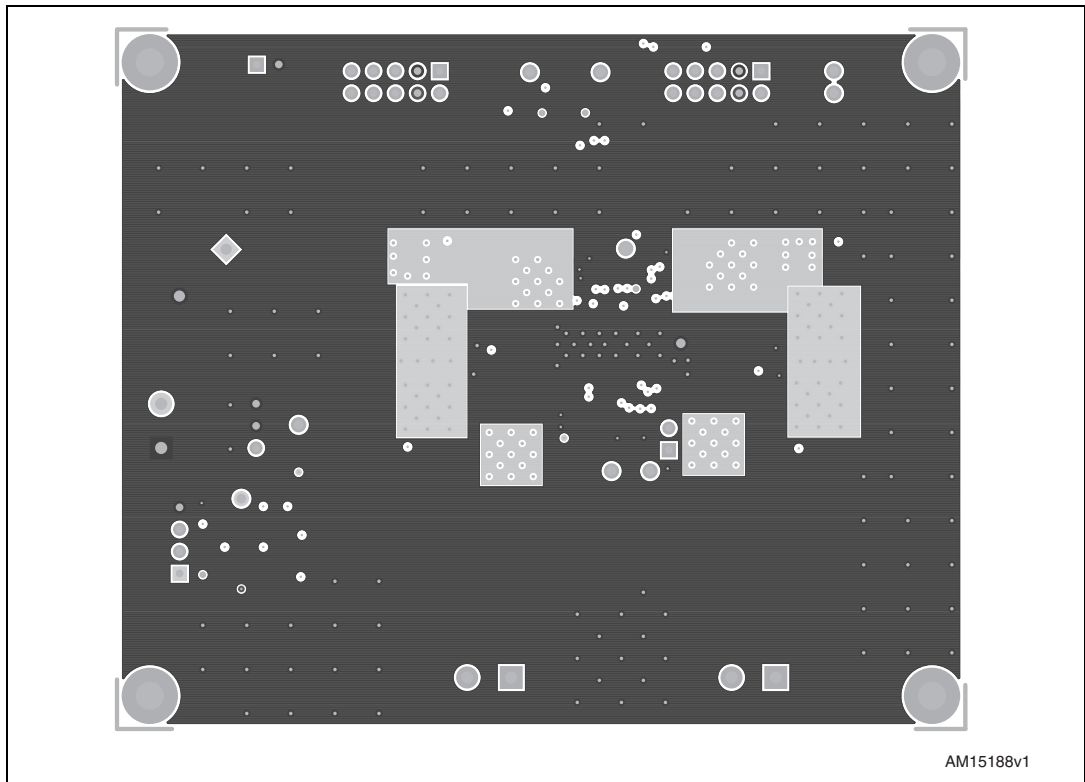
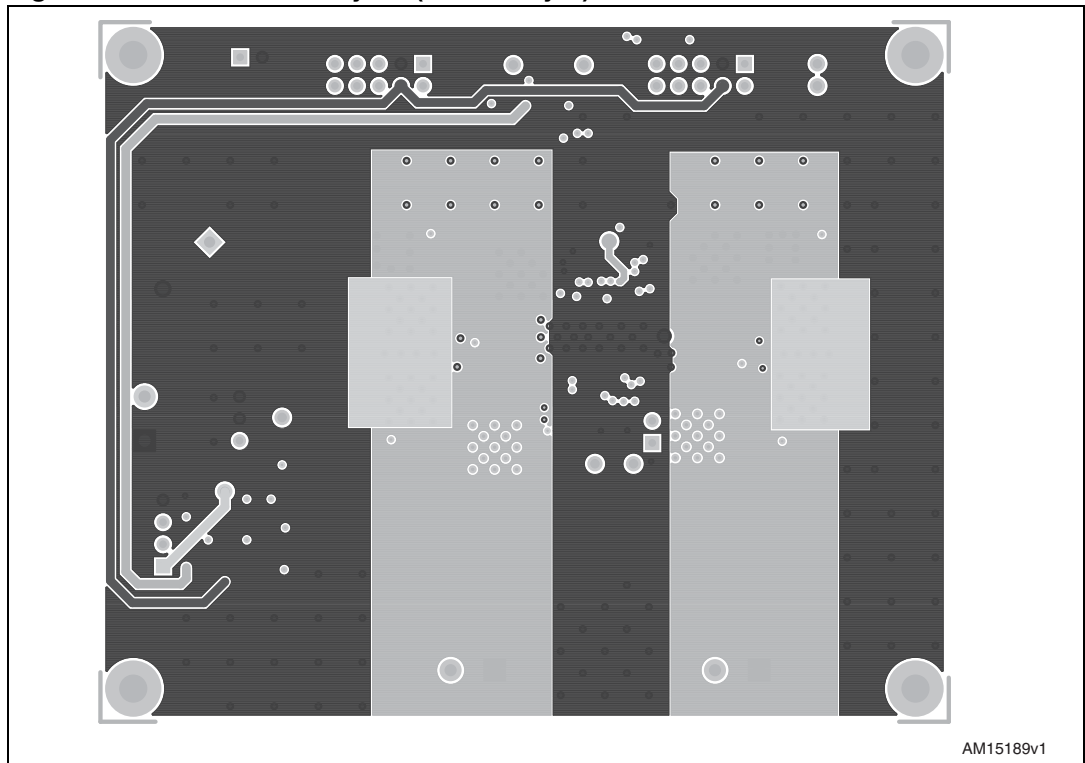


Figure 8. EVAL6482H - layout (bottom layer)



2 Revision history

Table 6. Document revision history

Date	Revision	Changes
30-Oct-2012	1	Initial release.

Please Read Carefully:

Information in this document is provided solely in connection with ST products. STMicroelectronics NV and its subsidiaries ("ST") reserve the right to make changes, corrections, modifications or improvements, to this document, and the products and services described herein at any time, without notice.

All ST products are sold pursuant to ST's terms and conditions of sale.

Purchasers are solely responsible for the choice, selection and use of the ST products and services described herein, and ST assumes no liability whatsoever relating to the choice, selection or use of the ST products and services described herein.

No license, express or implied, by estoppel or otherwise, to any intellectual property rights is granted under this document. If any part of this document refers to any third party products or services it shall not be deemed a license grant by ST for the use of such third party products or services, or any intellectual property contained therein or considered as a warranty covering the use in any manner whatsoever of such third party products or services or any intellectual property contained therein.

UNLESS OTHERWISE SET FORTH IN ST'S TERMS AND CONDITIONS OF SALE ST DISCLAIMS ANY EXPRESS OR IMPLIED WARRANTY WITH RESPECT TO THE USE AND/OR SALE OF ST PRODUCTS INCLUDING WITHOUT LIMITATION IMPLIED WARRANTIES OF MERCHANTABILITY, FITNESS FOR A PARTICULAR PURPOSE (AND THEIR EQUIVALENTS UNDER THE LAWS OF ANY JURISDICTION), OR INFRINGEMENT OF ANY PATENT, COPYRIGHT OR OTHER INTELLECTUAL PROPERTY RIGHT.

UNLESS EXPRESSLY APPROVED IN WRITING BY TWO AUTHORIZED ST REPRESENTATIVES, ST PRODUCTS ARE NOT RECOMMENDED, AUTHORIZED OR WARRANTED FOR USE IN MILITARY, AIR CRAFT, SPACE, LIFE SAVING, OR LIFE SUSTAINING APPLICATIONS, NOR IN PRODUCTS OR SYSTEMS WHERE FAILURE OR MALFUNCTION MAY RESULT IN PERSONAL INJURY, DEATH, OR SEVERE PROPERTY OR ENVIRONMENTAL DAMAGE. ST PRODUCTS WHICH ARE NOT SPECIFIED AS "AUTOMOTIVE GRADE" MAY ONLY BE USED IN AUTOMOTIVE APPLICATIONS AT USER'S OWN RISK.

Resale of ST products with provisions different from the statements and/or technical features set forth in this document shall immediately void any warranty granted by ST for the ST product or service described herein and shall not create or extend in any manner whatsoever, any liability of ST.

ST and the ST logo are trademarks or registered trademarks of ST in various countries.

Information in this document supersedes and replaces all information previously supplied.

The ST logo is a registered trademark of STMicroelectronics. All other names are the property of their respective owners.

© 2012 STMicroelectronics - All rights reserved

STMicroelectronics group of companies

Australia - Belgium - Brazil - Canada - China - Czech Republic - Finland - France - Germany - Hong Kong - India - Israel - Italy - Japan - Malaysia - Malta - Morocco - Philippines - Singapore - Spain - Sweden - Switzerland - United Kingdom - United States of America

www.st.com